

MIL-CMP12-S

MIL-STD AI Rugged Computer Based on Intel I7 CPU

Description

The MIL-CMP12-S is a Fully Ruggedized, high-performance Advanced AI computer, designed for Artificial Intelligent, video analytics, Situational Awareness and advanced AI uses.

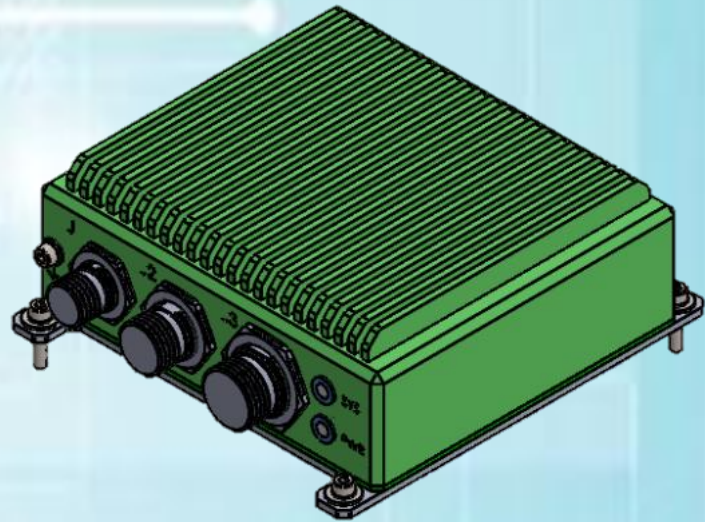
This system enables deployment of advanced AI algorithms in mobile, air, ground and unmanned applications.

Meets the requirements for autonomies platforms, tanks, artillery and APC.

For all MIL-CMP12-S Features [click here](#)

Key Features

- Powerful intel I7 based Computing core.
- 2T SSD.
- 64GB Memory.
- Low power consumption with Passive cooling.
- MIL- 38999 rugged MIL-Spec connectors.
- Massive Aluminum enclosure with anti-corrosion paint.
- IP67 Waterproof and dustproof sealing.
- LED indicators Power/Status.
- MIL-STD 461 EMI/EMC Compliance.
- MIL-STD 810 Environment compliance.
- MIL-STD 1275 / 704 Power compliance.



Orderable Part numbers:

base part number	MIL-CMP12-S
mating cable kit	MIL-CMP12-S-CBL-01



*The specifications and pictures are subject to change without prior notice

MIL-CMP12-S

MIL-STD AI Rugged Computer Based on Intel I7 CPU

Specifications	
Power:	+9 to +36V DC 6A, 20-45W Design to meet MIL-STD-704 & MIL-STD-1275 Standards **
Connectors:	3 x D38999 MIL Circular connectors
Weight (approx.):	4.5 Kg
Dimensions:	230 x 60 x 170 mm (W x H x D) excluding connectors and mounting lags
Material:	Machined Aluminum, internal yellow anodize coating
Color:	Black, MIL SPEC approved, any color option available
Environmental and physical specifications	
Dust/Rain Sealing Level:	IP67
Temperature:	-20 to +60 °C operational, Passive Cooling, No Fan needed -40C to +85C storage
Humidity:	Operating: 5 to 95 % at +25 °C, non-condensing
Vibration:	Operating acceleration amplitude up to 2.5g (3-500 Hz)
Shock:	Maximum peak shock acceleration up to 40g ,11mS
Cards Coating	All internal cards are coated with Conformal coating according to MIL-I-46058
Reliability & EMI:	Design to meet MIL-STD-810 & MIL-STD-461 Standards **
System:	
CPU:	Intel® Core™ i7 Processor (SoC), 8 Core Integrated Chipset
OS support:	Windows / Linux
Storage:	1 x 2TB NVMe SSD
Memory:	64GB DDR
Communication:	2 x GbE LAN, 2 x USB 2.0, 1 x RS232, 1 x RS232/422/485
I/O	8-bit Digital IO - TTL
Video Output:	1 x VGA Output
System Indicator	Power LED, LAN/SYS/HDD Led
Power Button:	1 x Power on/off Button
Audio	1 x Line Out, 1 x Line In
Mating cable:	1 x Mating cable kit (optional)

*Optional Capabilities are not included in base part number and must be ordered separately

** system was designed to meet military specs, system was not tested in environmental lab

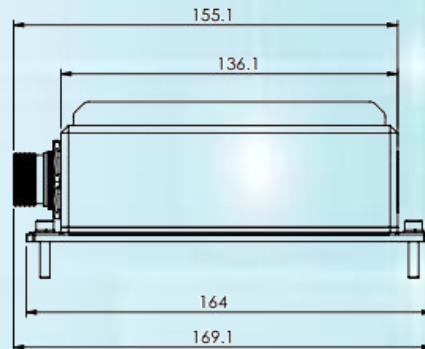
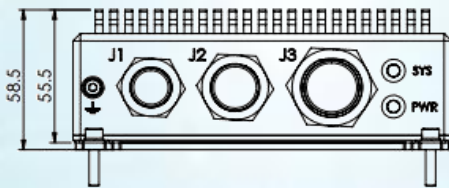
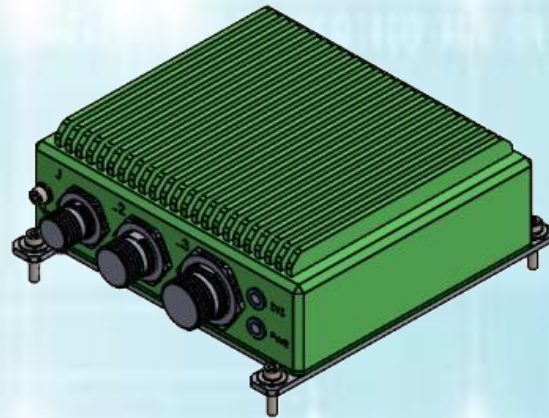
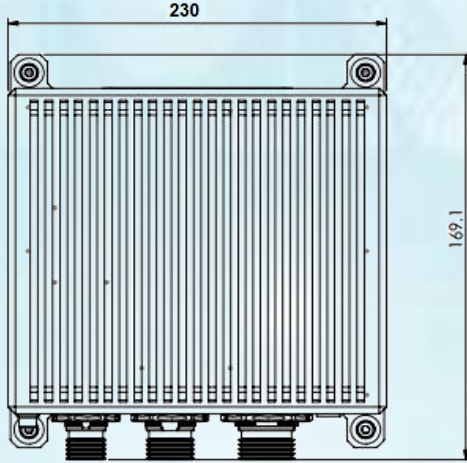


*The specifications and pictures are subject to change without prior notice

MIL-CMP12-S

MIL-STD AI Rugged Computer Based on Intel I7 CPU

Dimensions:



*The specifications and pictures are subject to change without prior notice